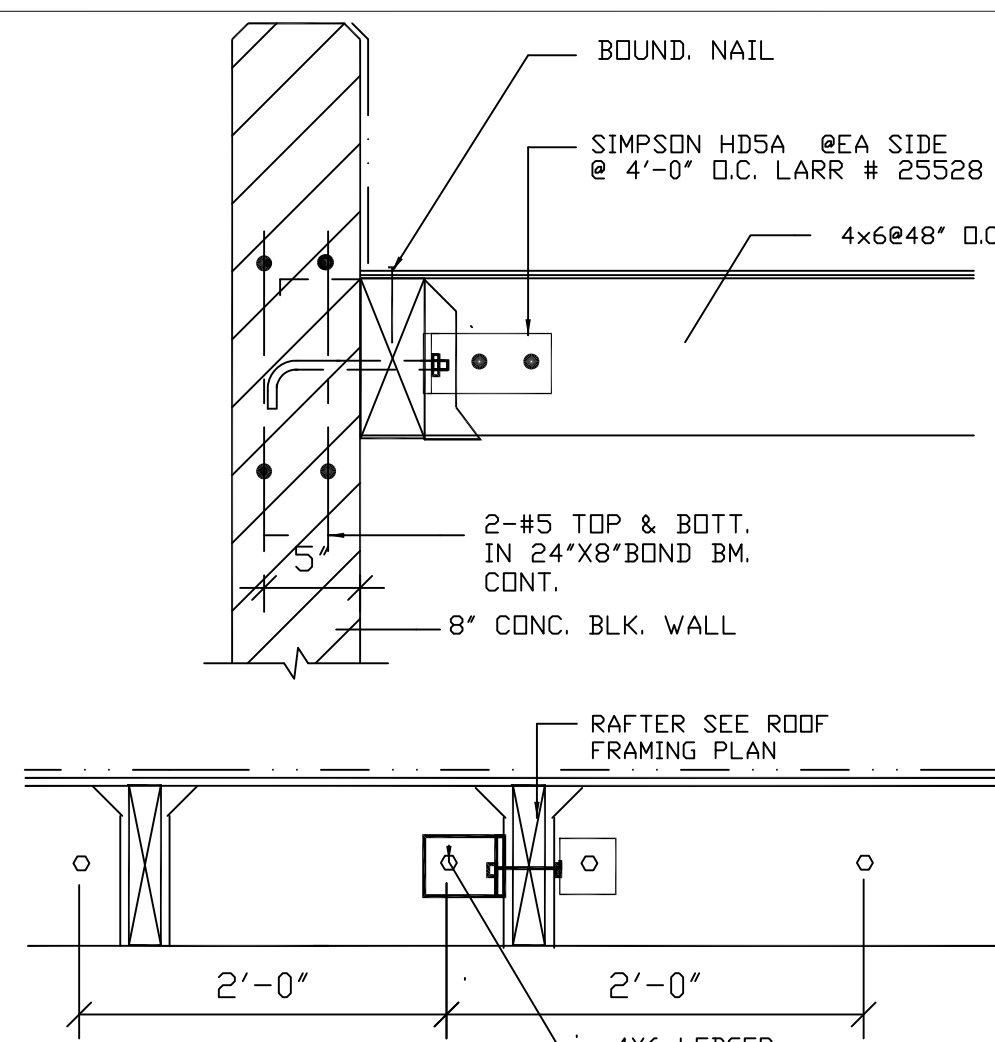
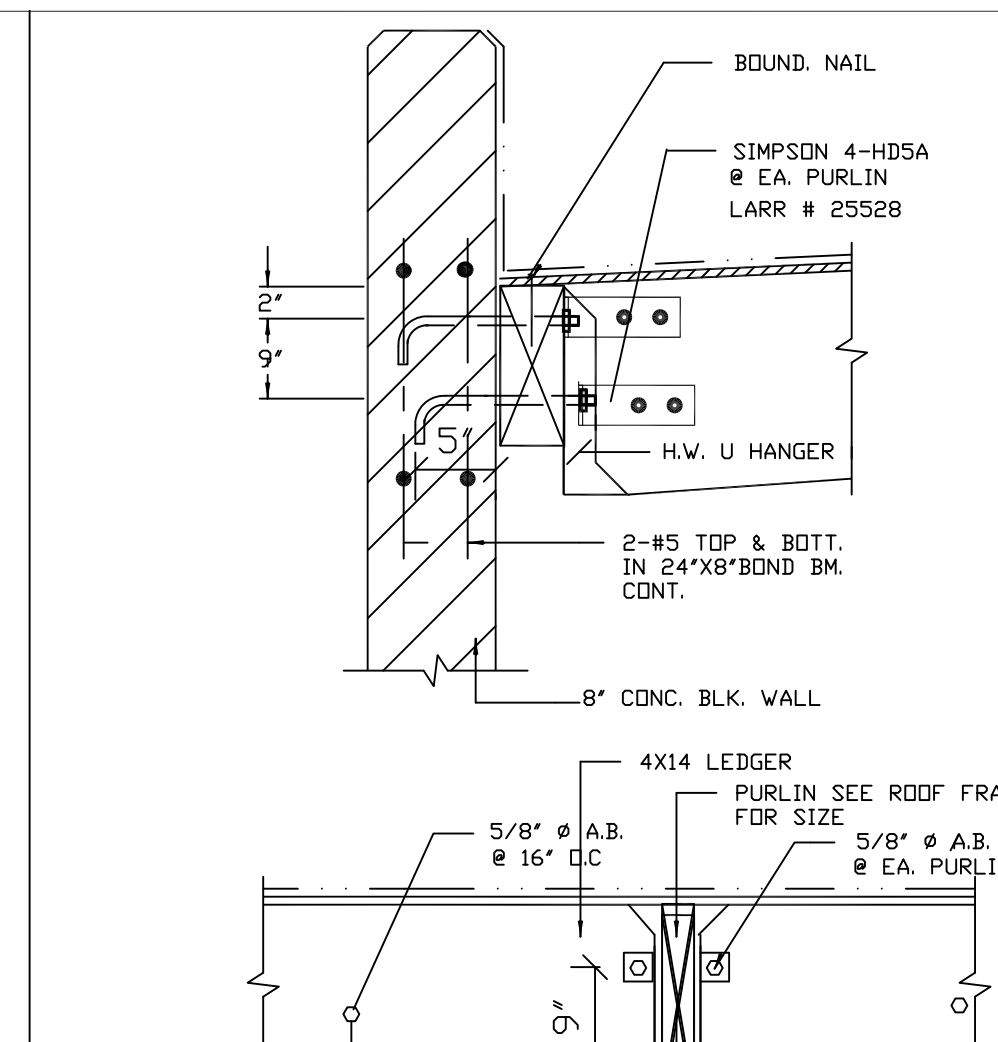


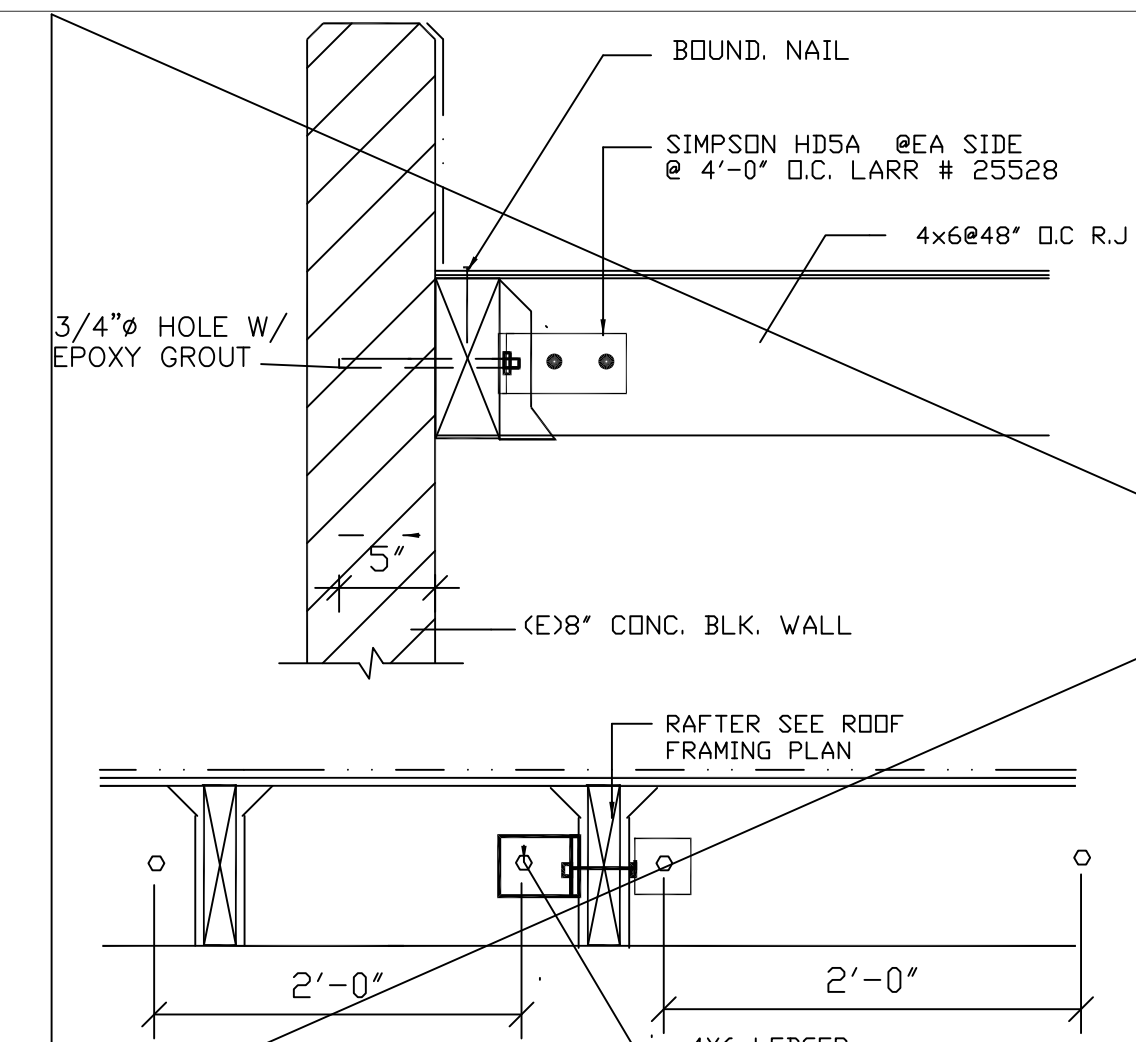
MECH. EQUIPMENT PLATFORM 5



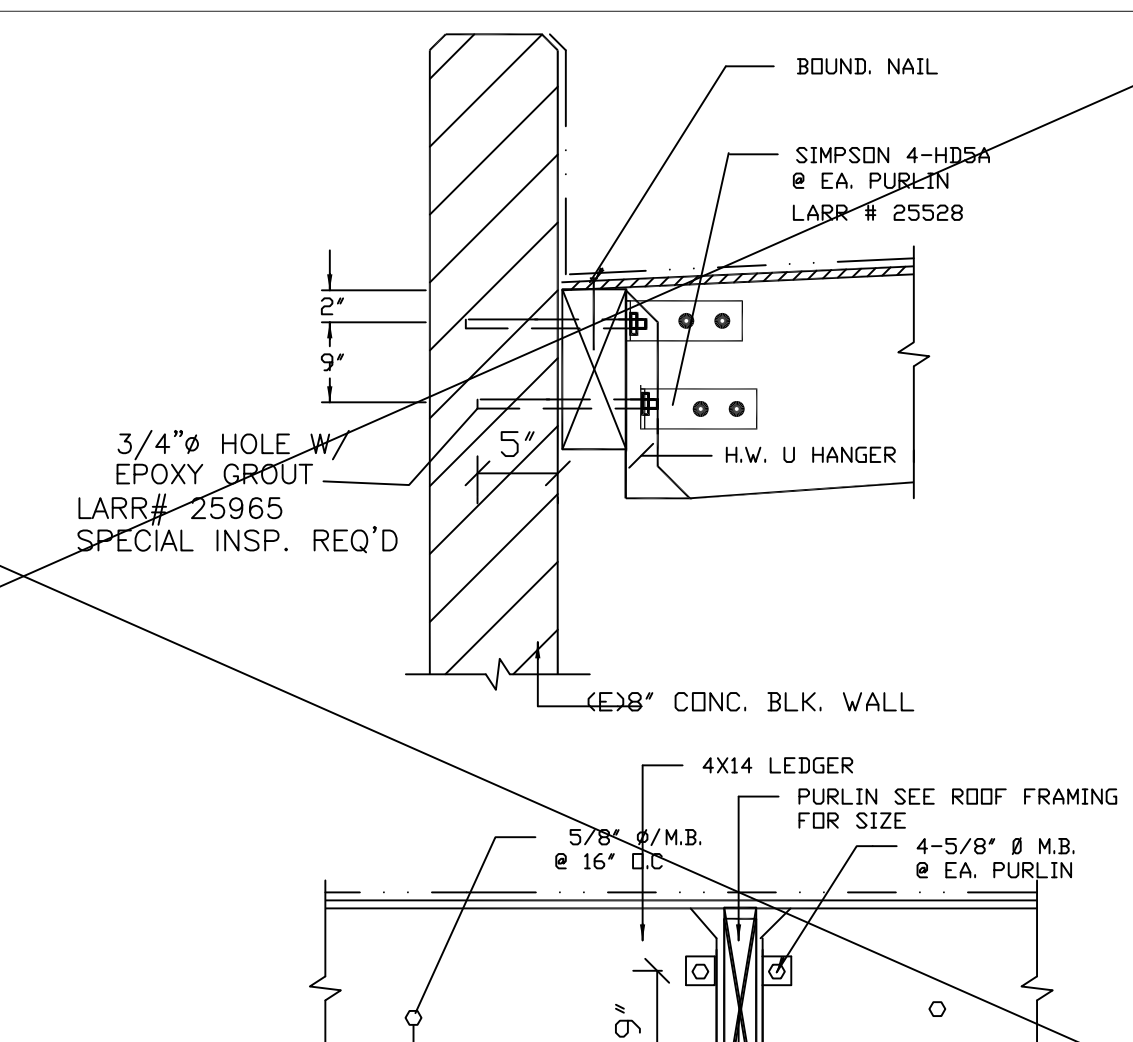
RAFTER HANGER DETAIL 4



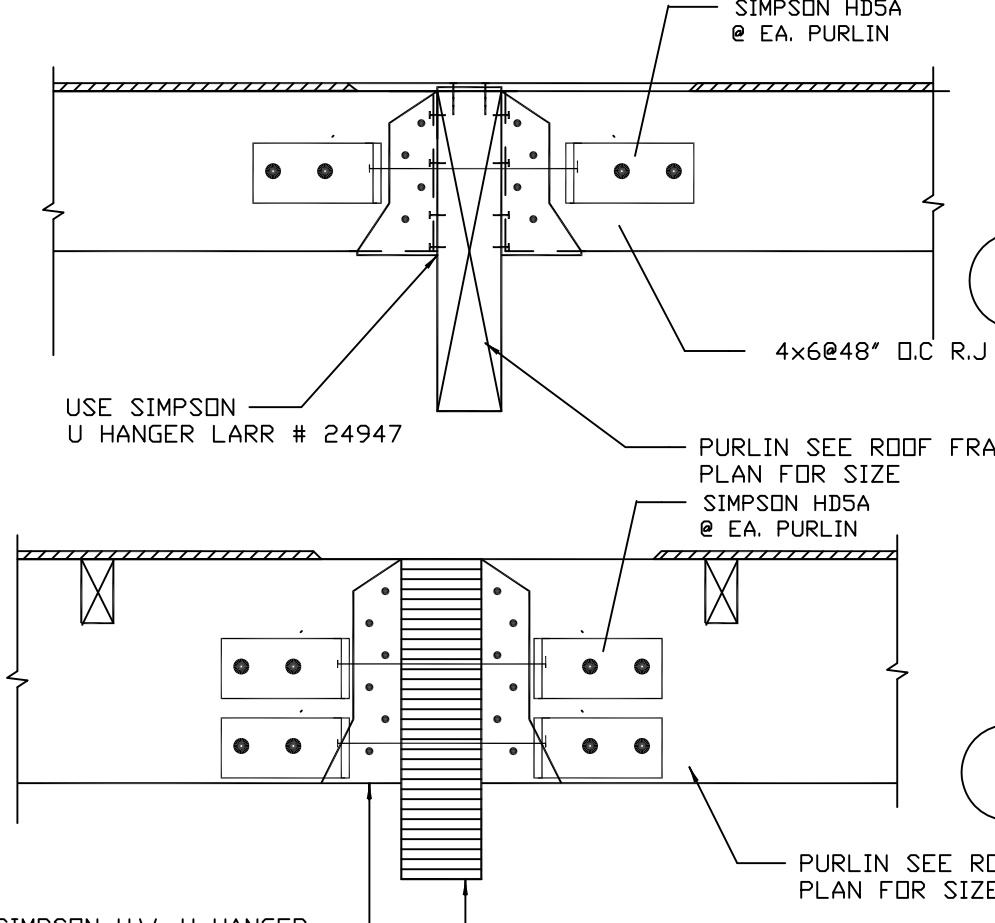
RAFTER HANGER DETAIL 3



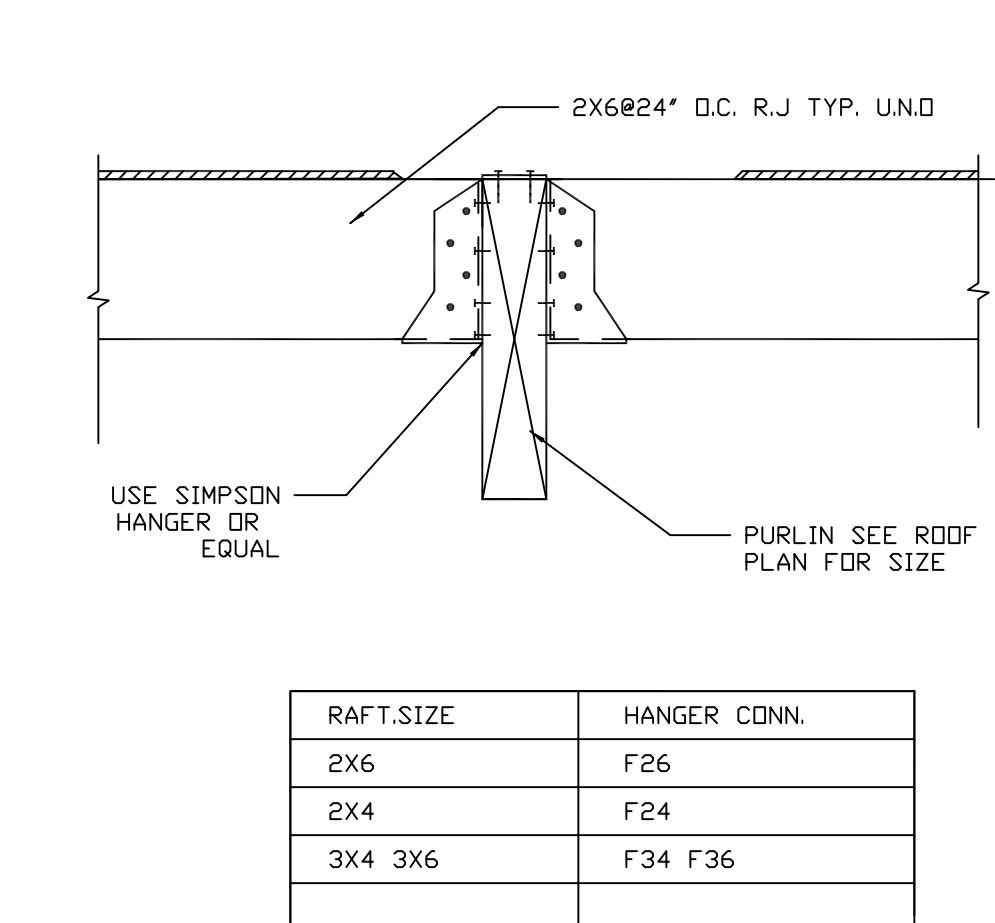
RAFTER HANGER DETAIL 2



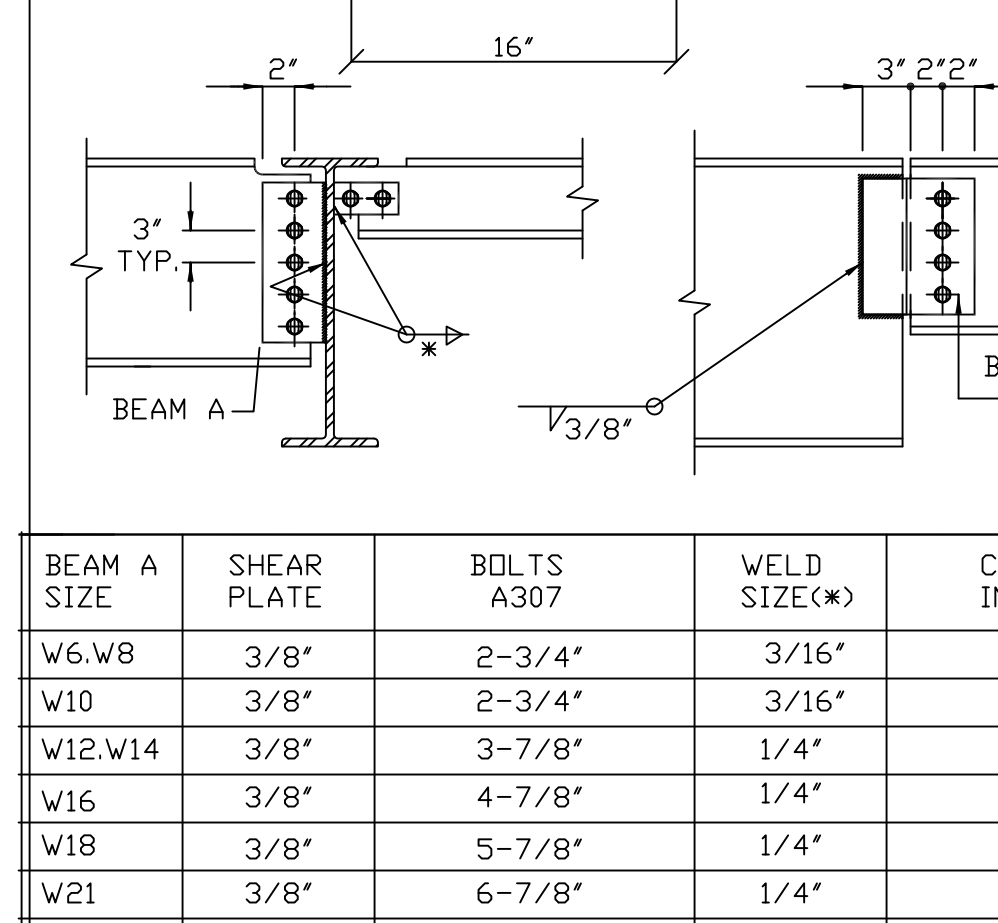
RAFTER HANGER DETAIL 1



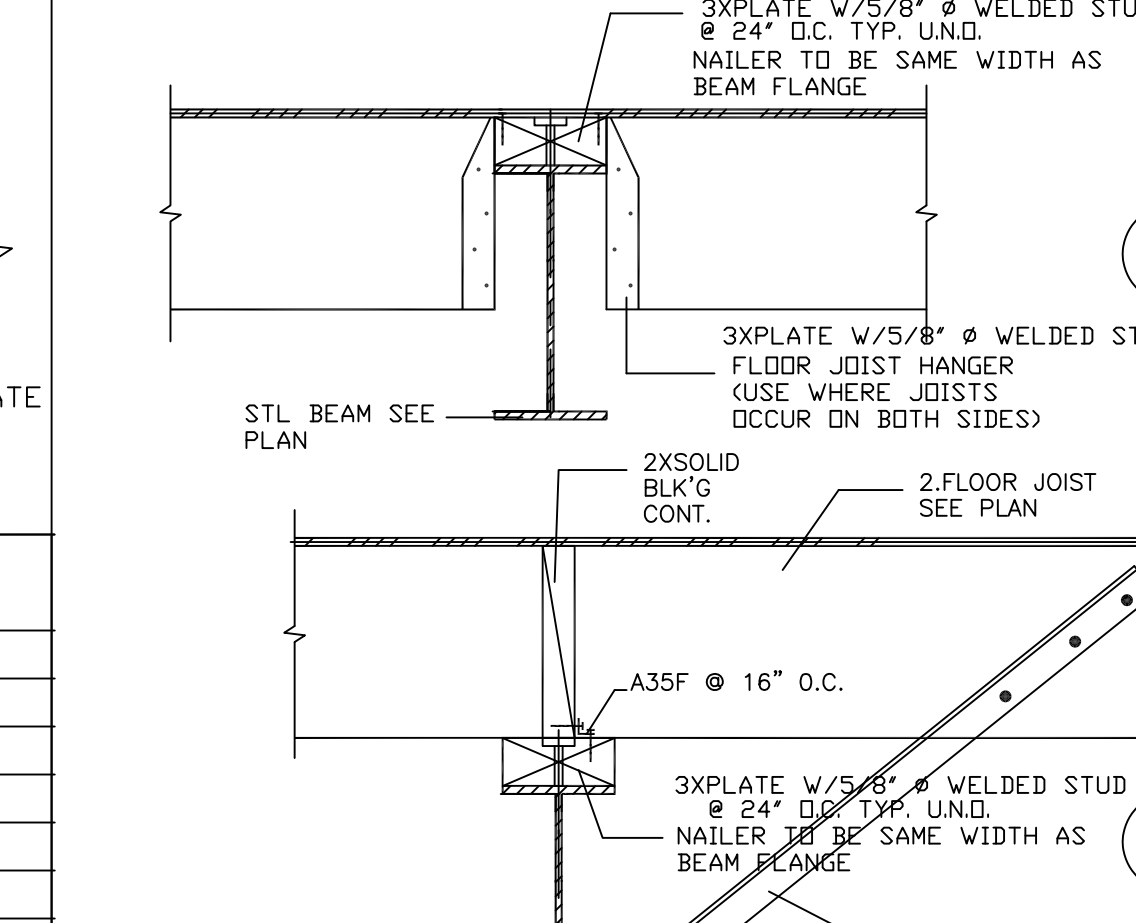
PURLIN HANGER DETAIL 10



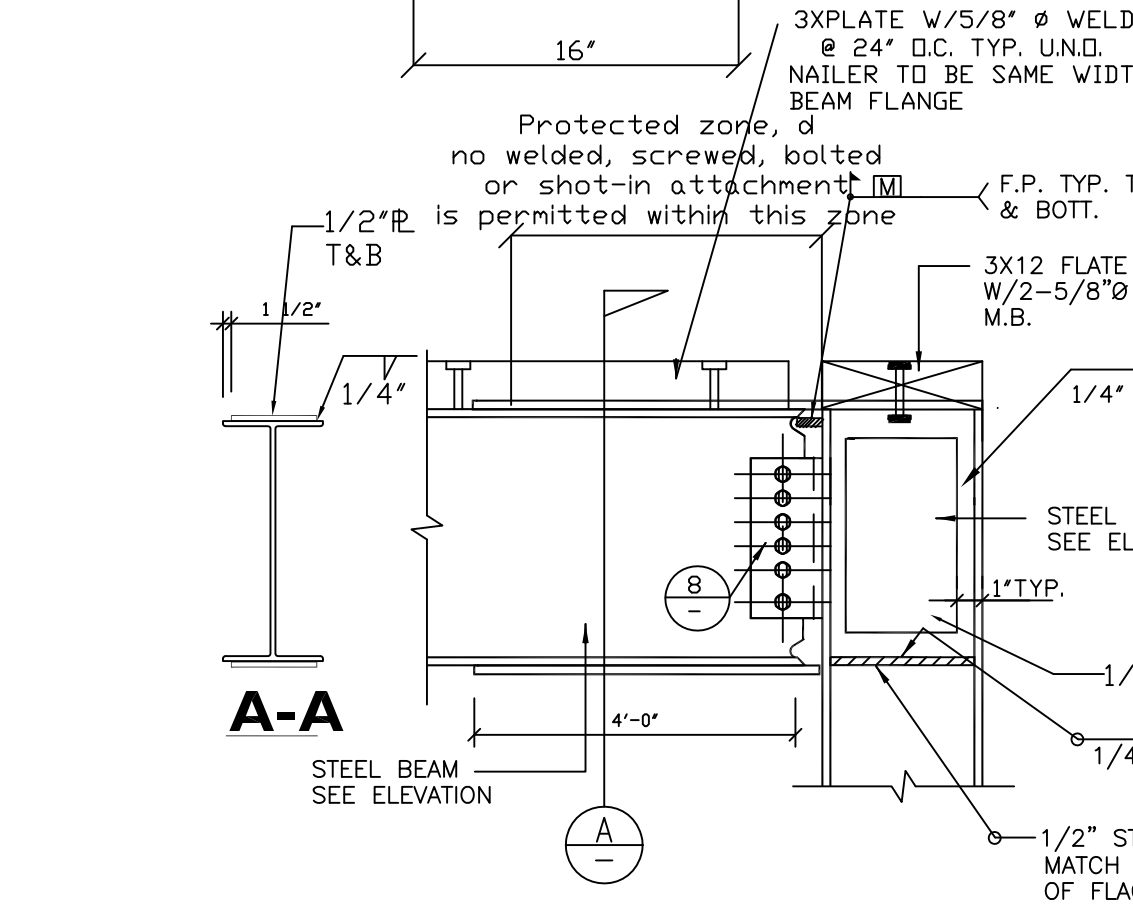
RAFTER HANGER DETAIL 9



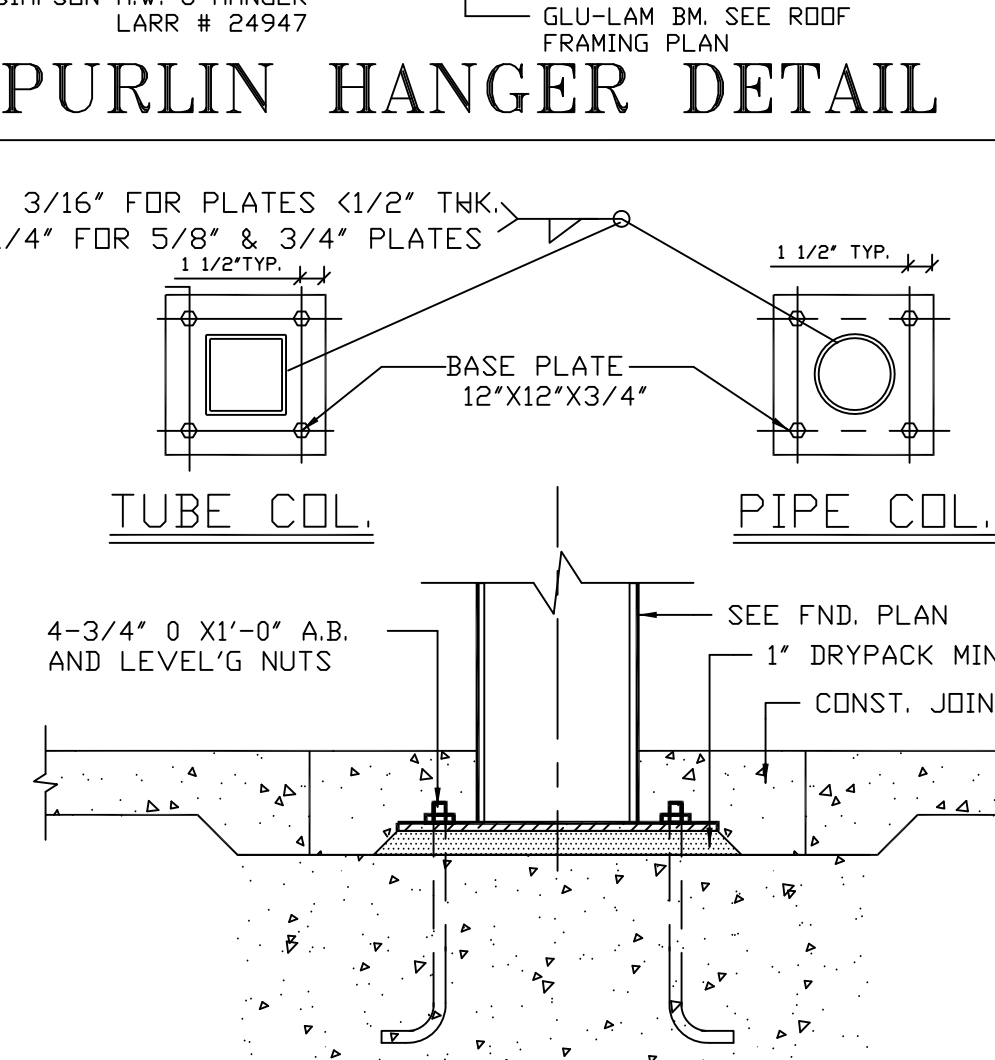
BEAM TO COL. MOMENT CONNECTION 8



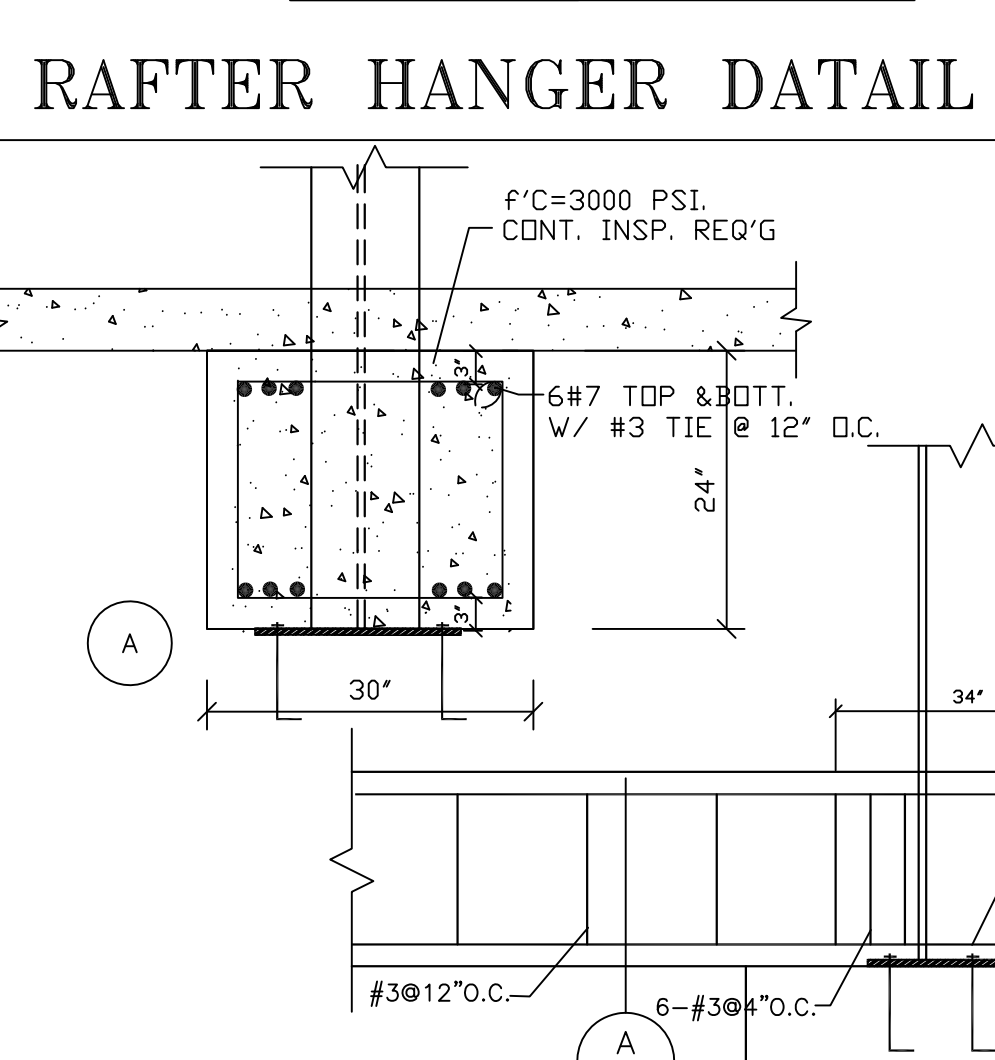
BEAM TO COL. MOMENT CONNECTION 7



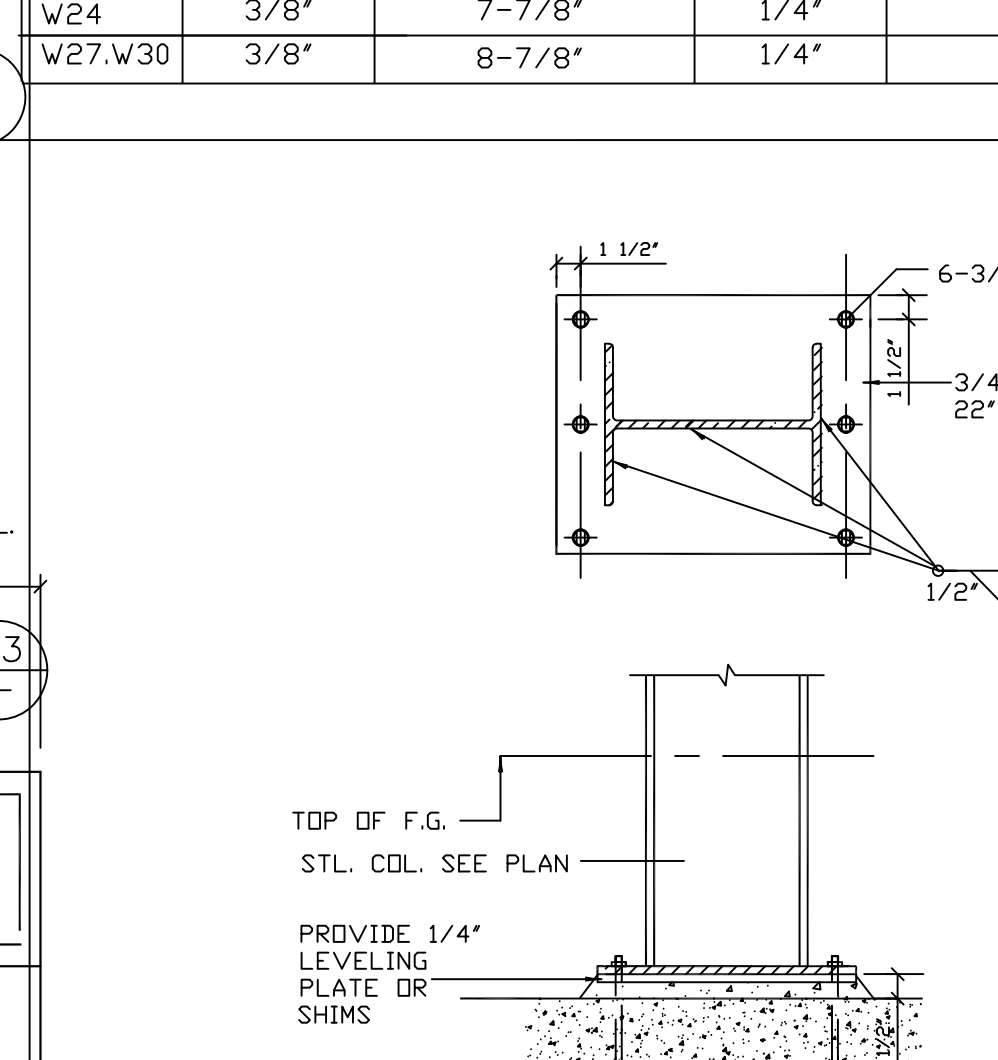
BEAM TO COL. MOMENT CONNECTION 6



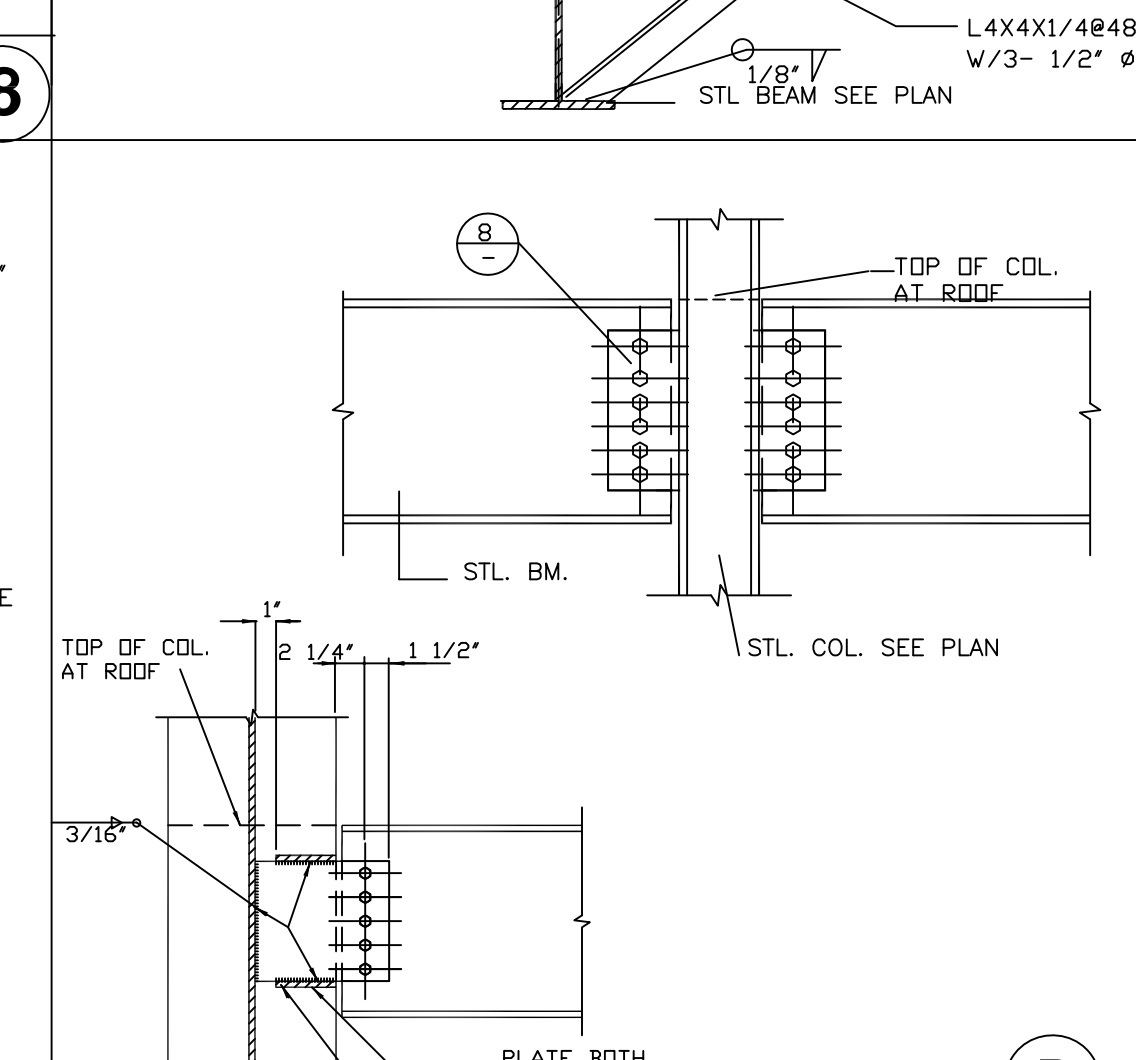
COL. TO FTG. CONN. 15



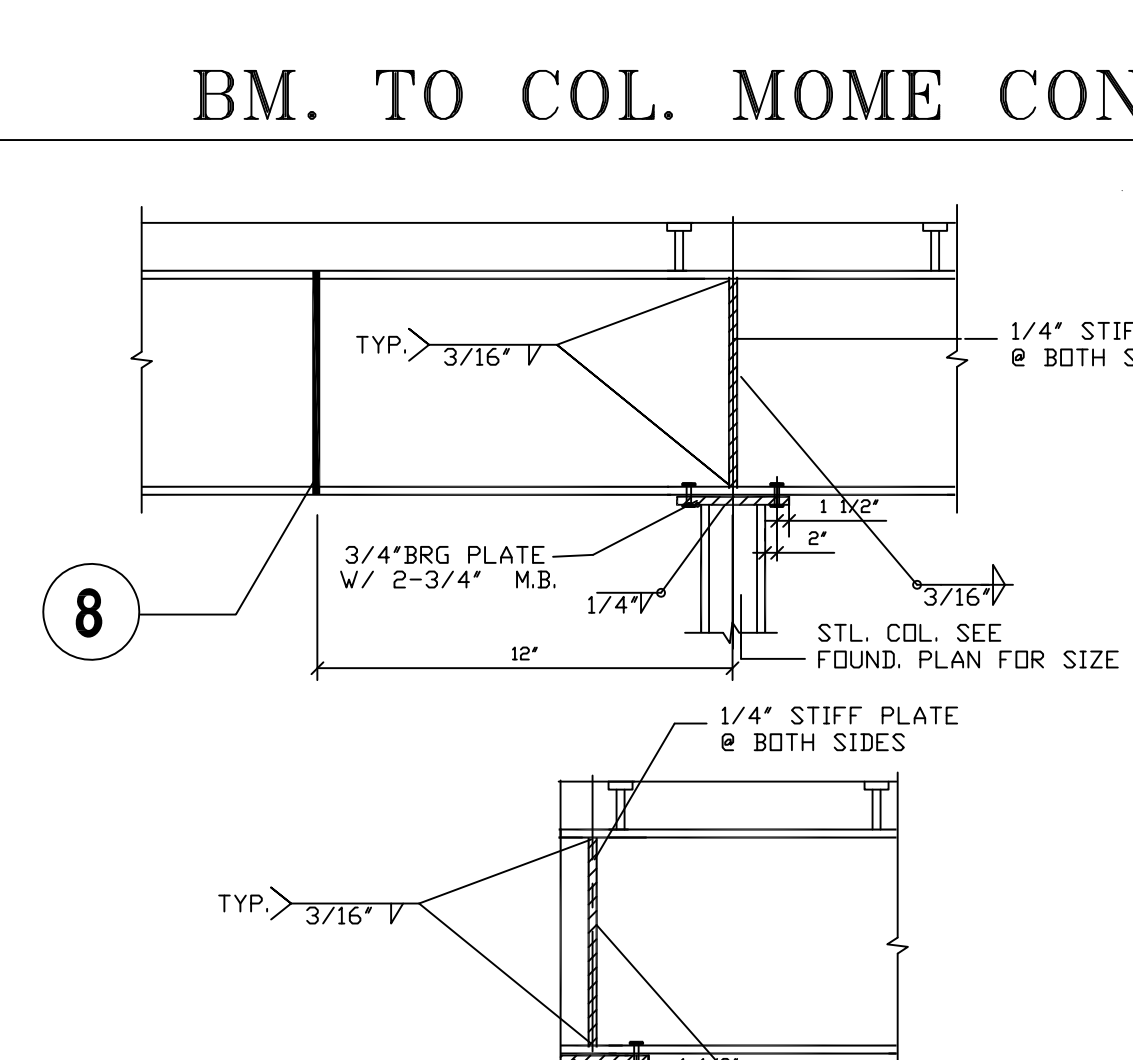
COL. TO FTG. CONN. 14



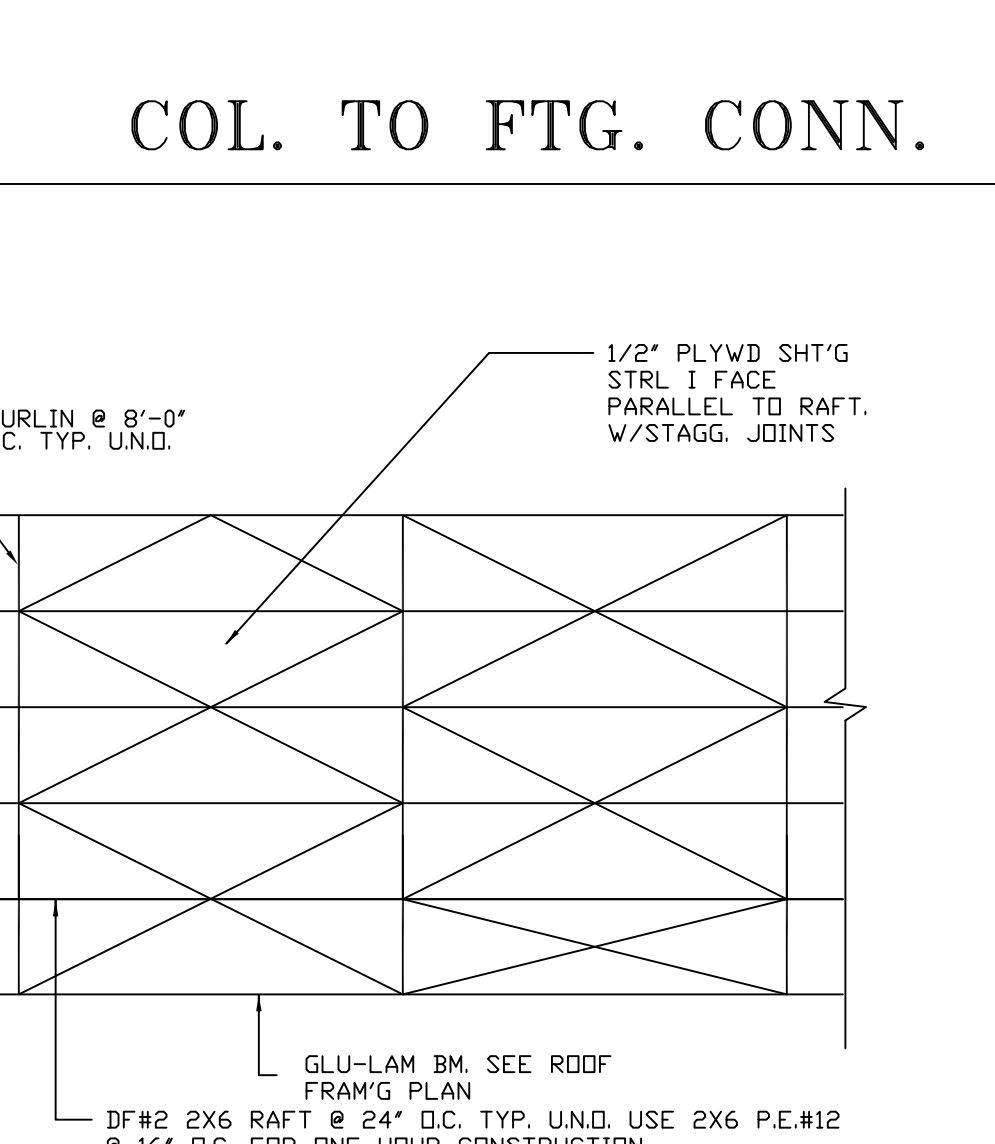
COL. TO FTG. CONN. 13



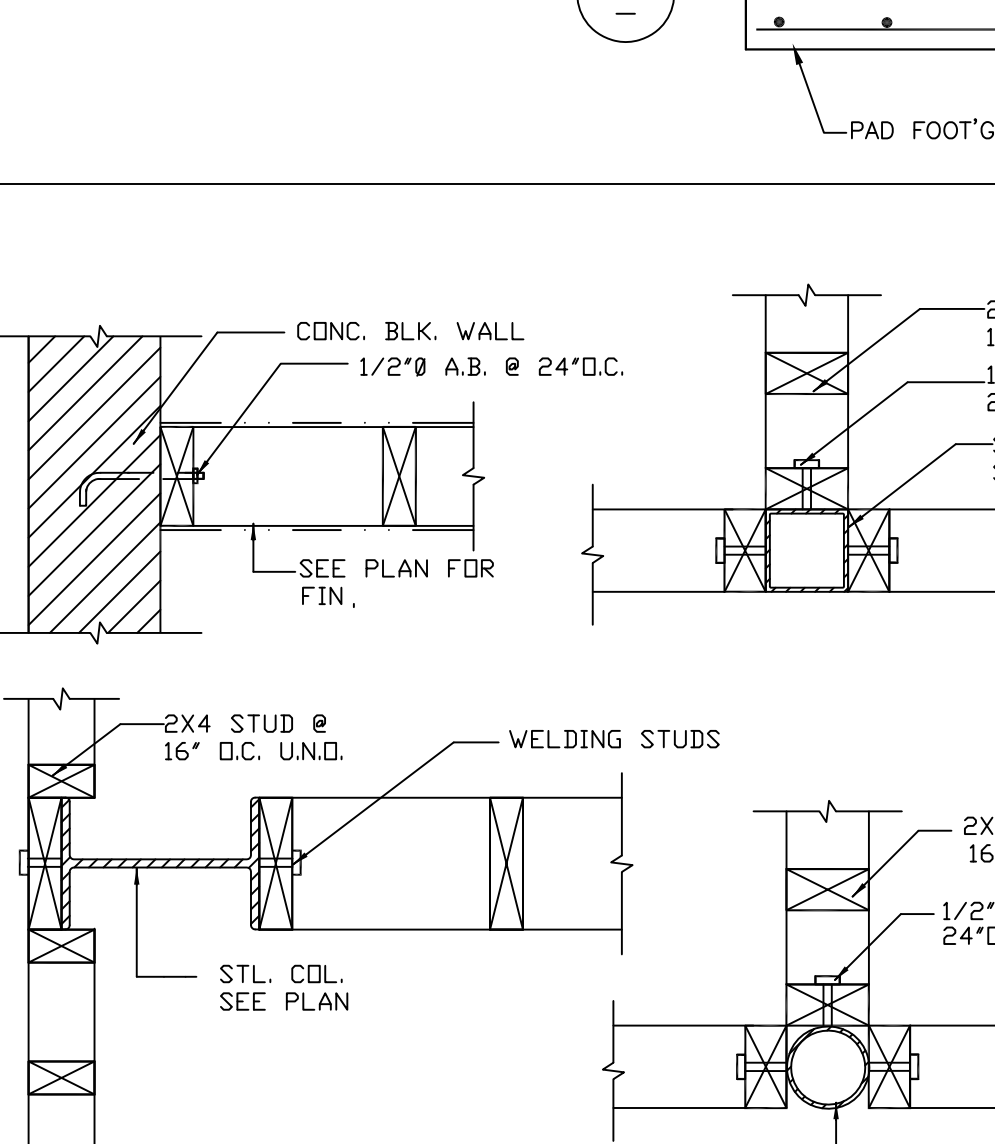
BM. TO COL. WEB. CONN. 12



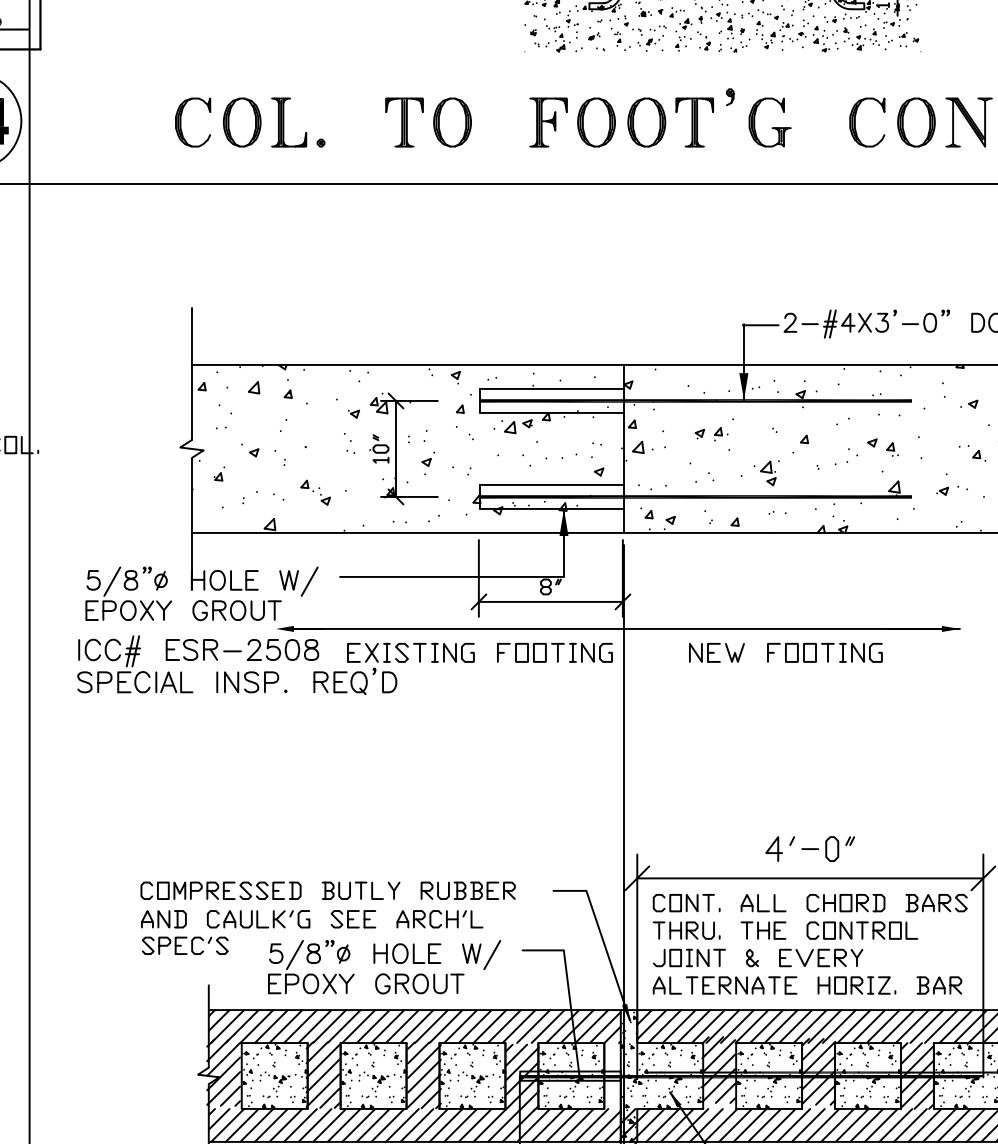
BM. TO COL. WEB. CONN. 11



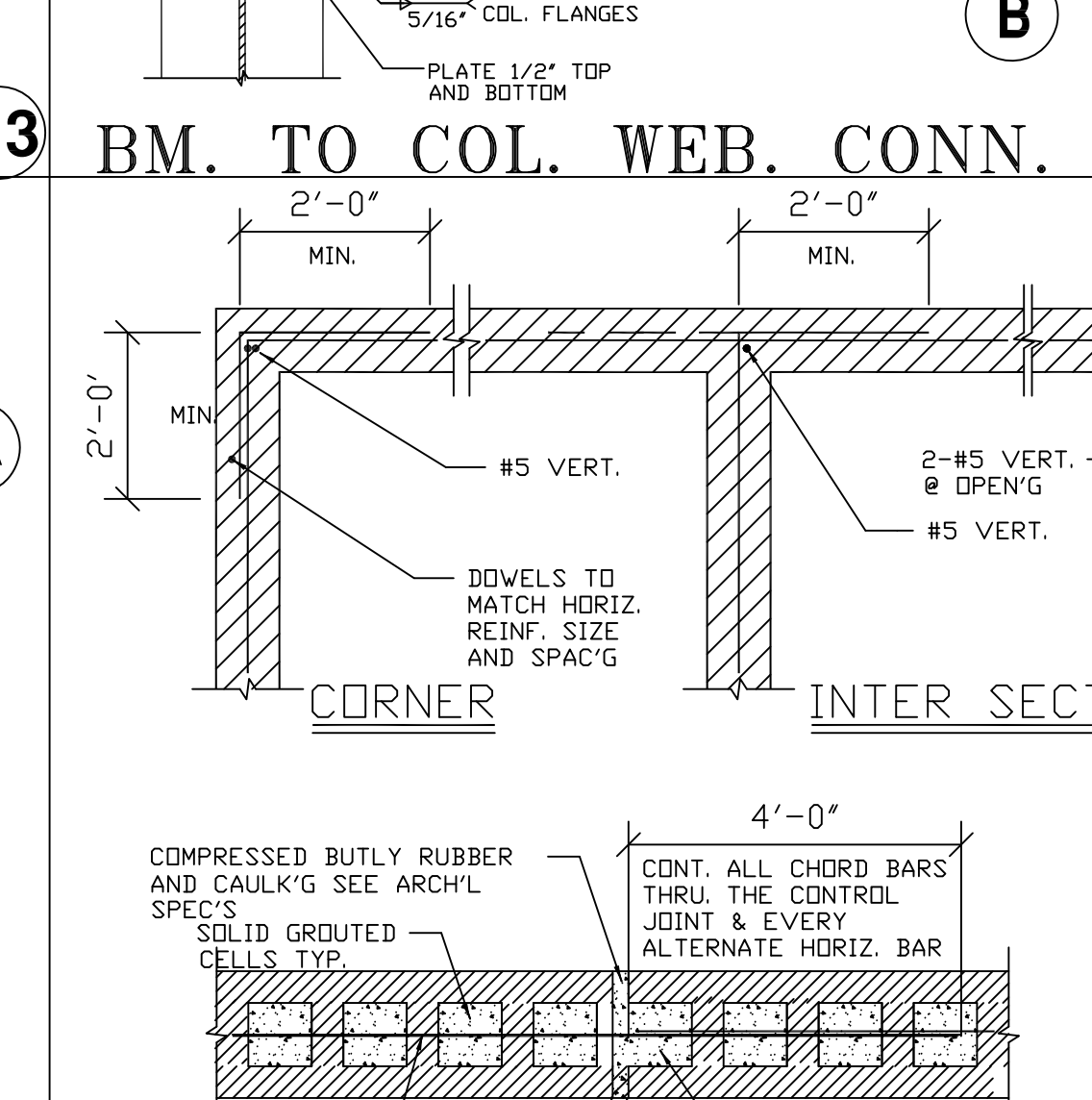
ROOF SHEATH'G DETAIL 20



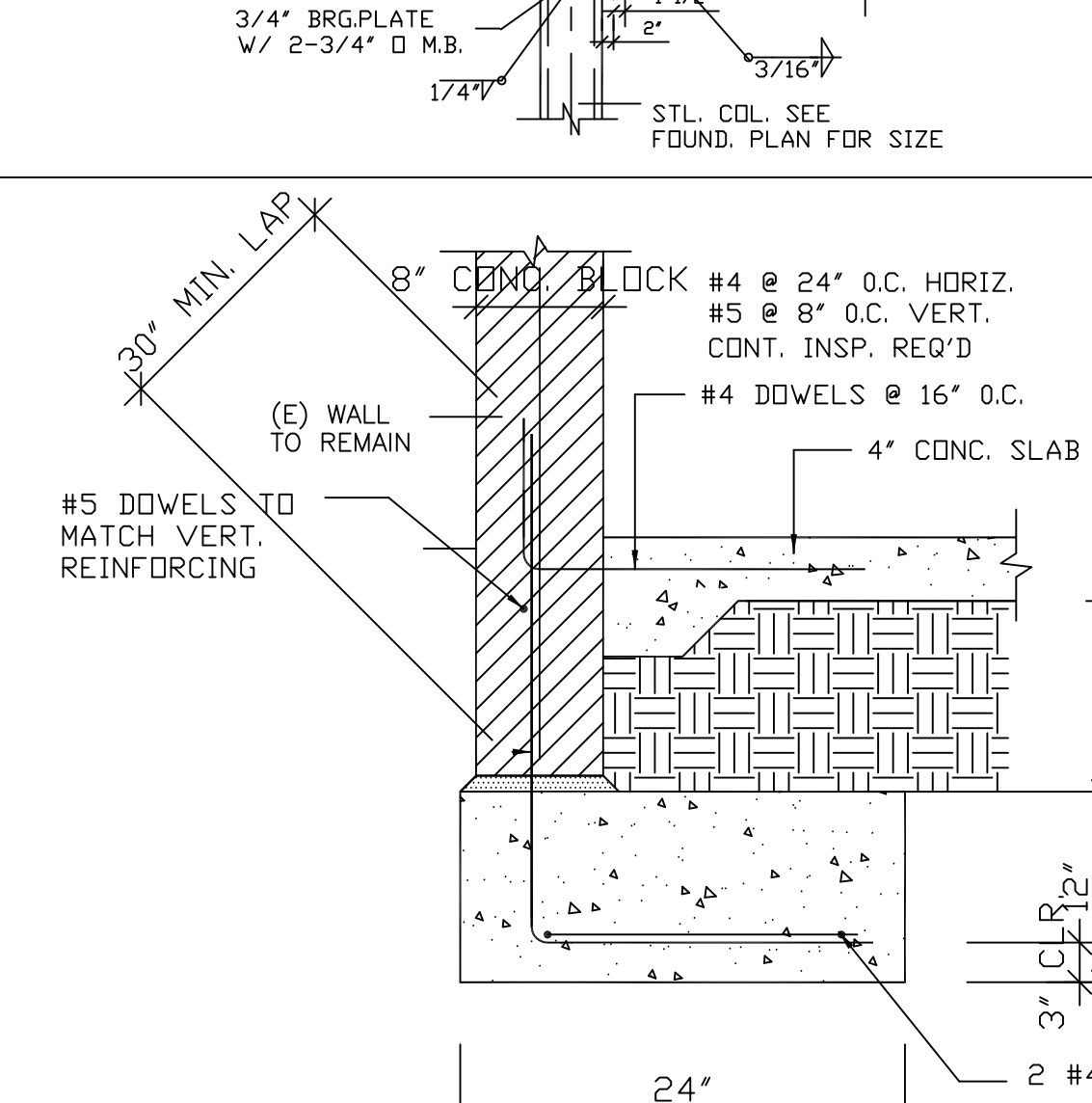
ROOF SHEATH'G DETAIL 19



COL. TO FOOT'G CONN. 18



CORNER and INTER SECTION 17

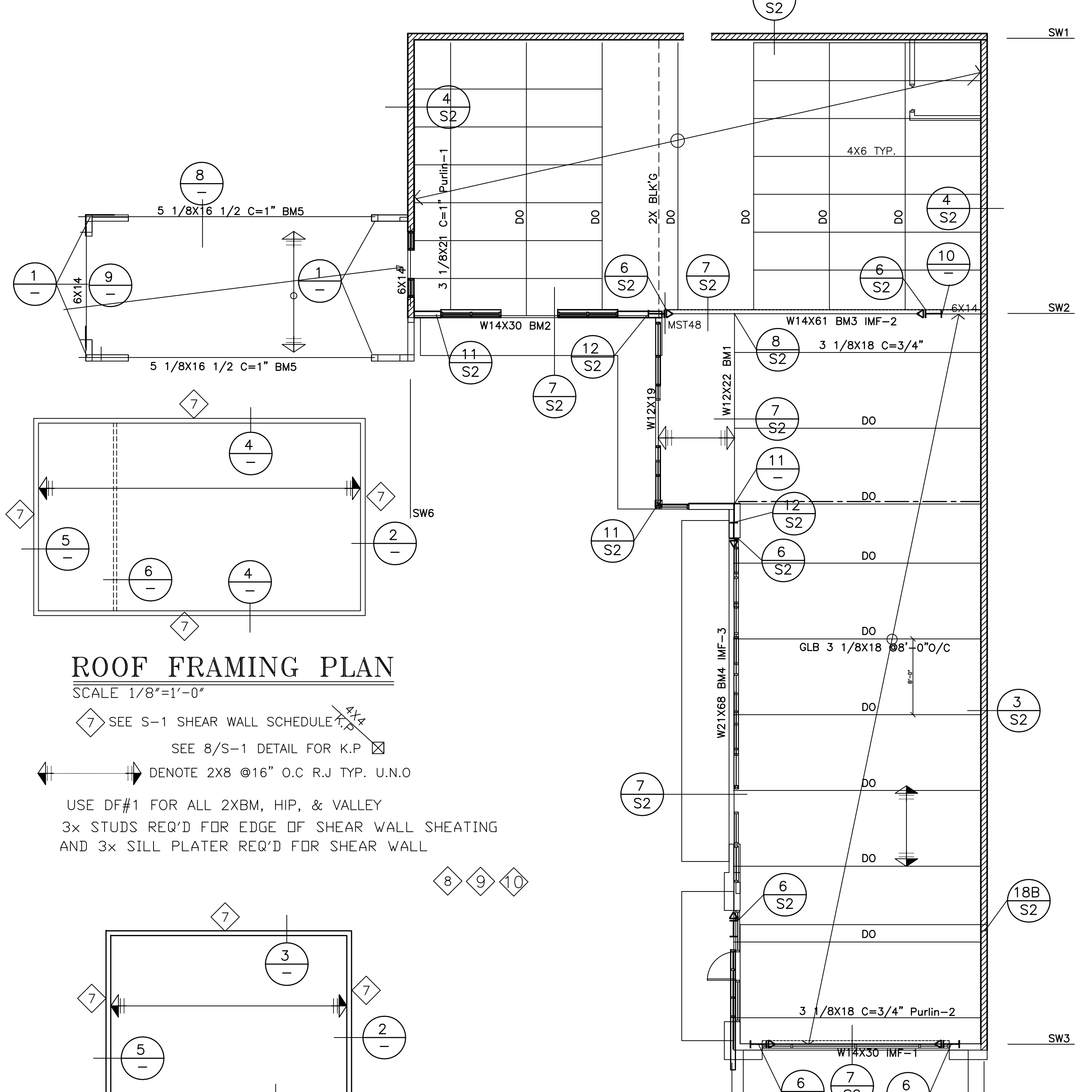
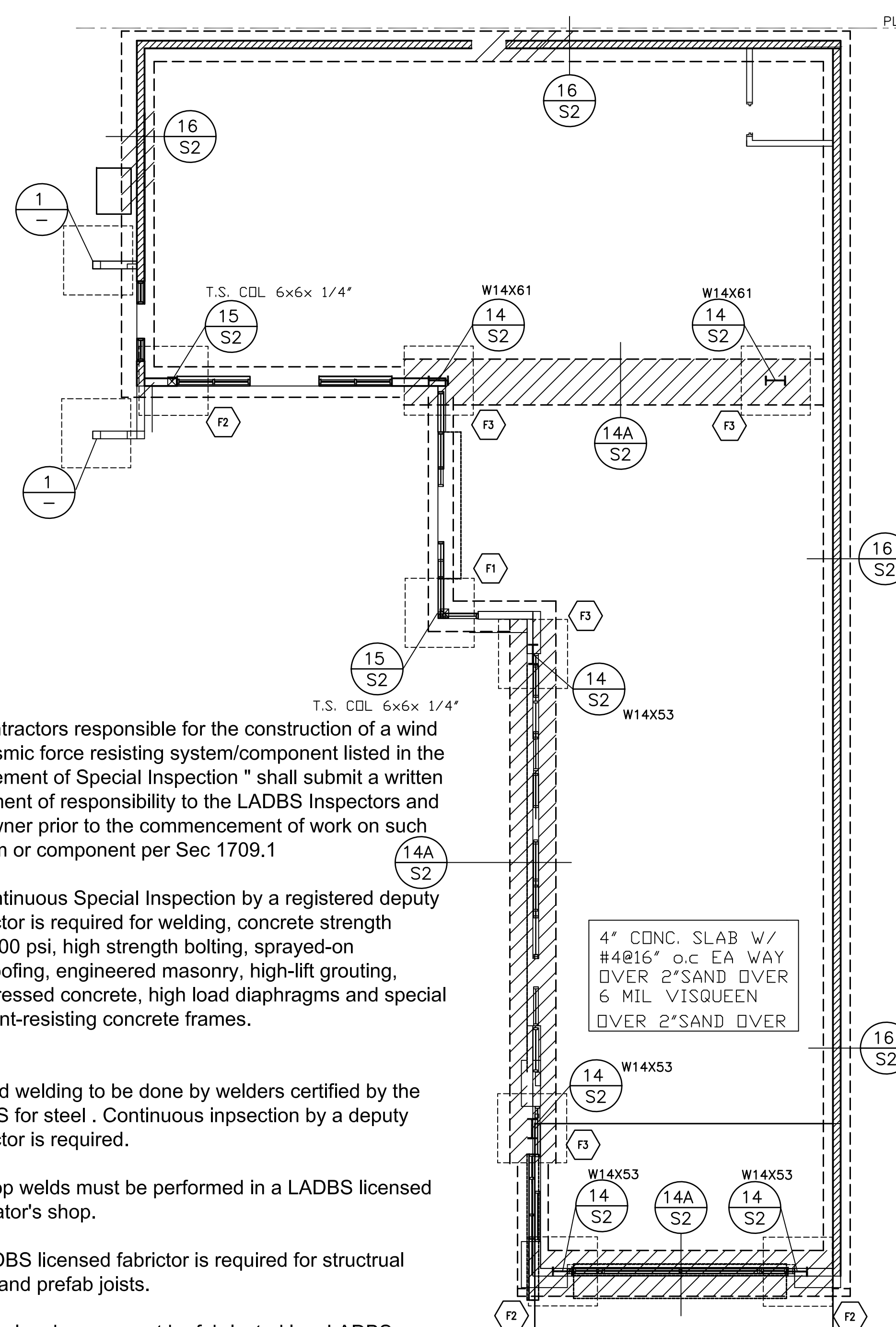


COL. TO FOOT'G CONN. 16

DAVID LI & ASSOCIATES
Consulting Engineers
2446 N. San Gabriel Blvd. #B
Rosemead, Ca 91770
(626) 288-1216

JOB LOCATION:
1057 W. MANCHESTER AVE.
LOS ANGELES, CA. 90044

Date
Scale
Drawn
Job 16037
Sheet
S-2
Of Sheet



ROOF FRAMING PLAN
SCALE 1/8"=1'-0"

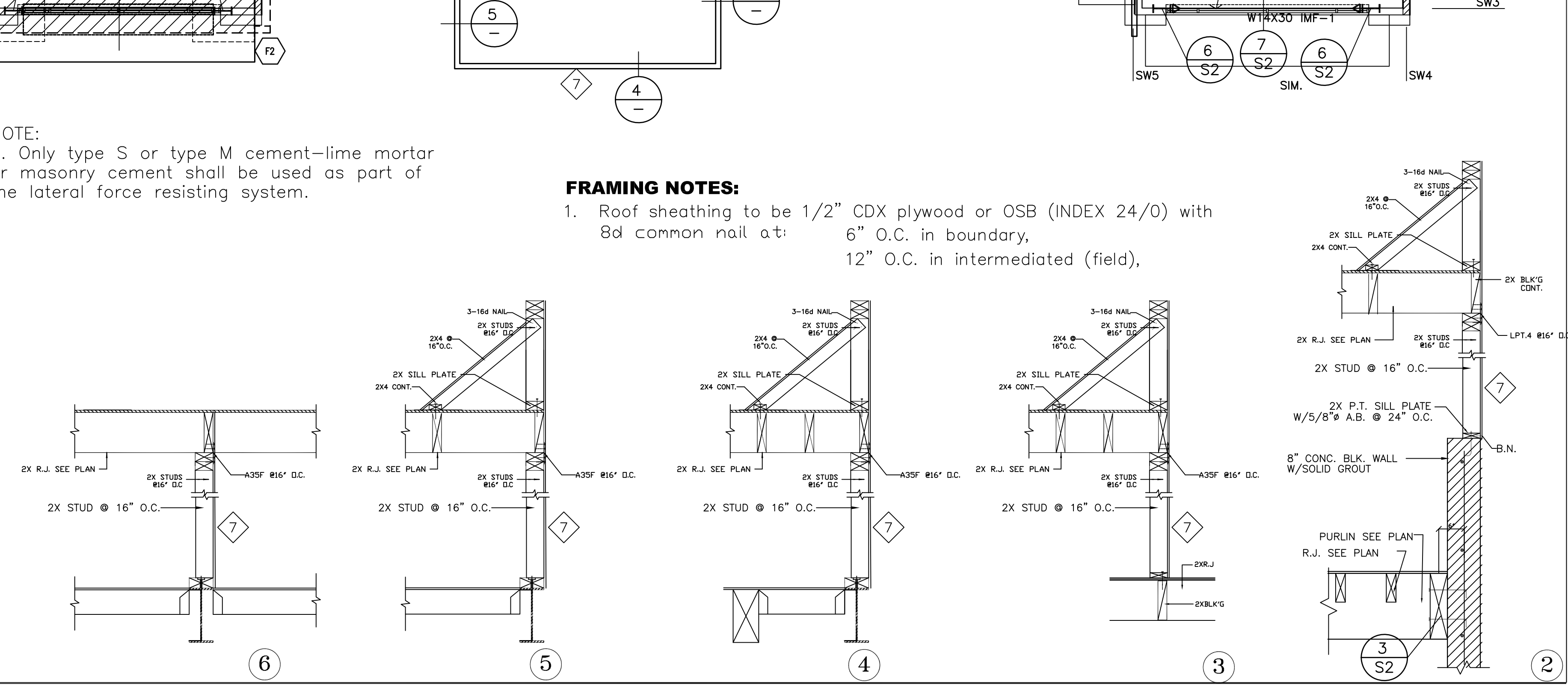
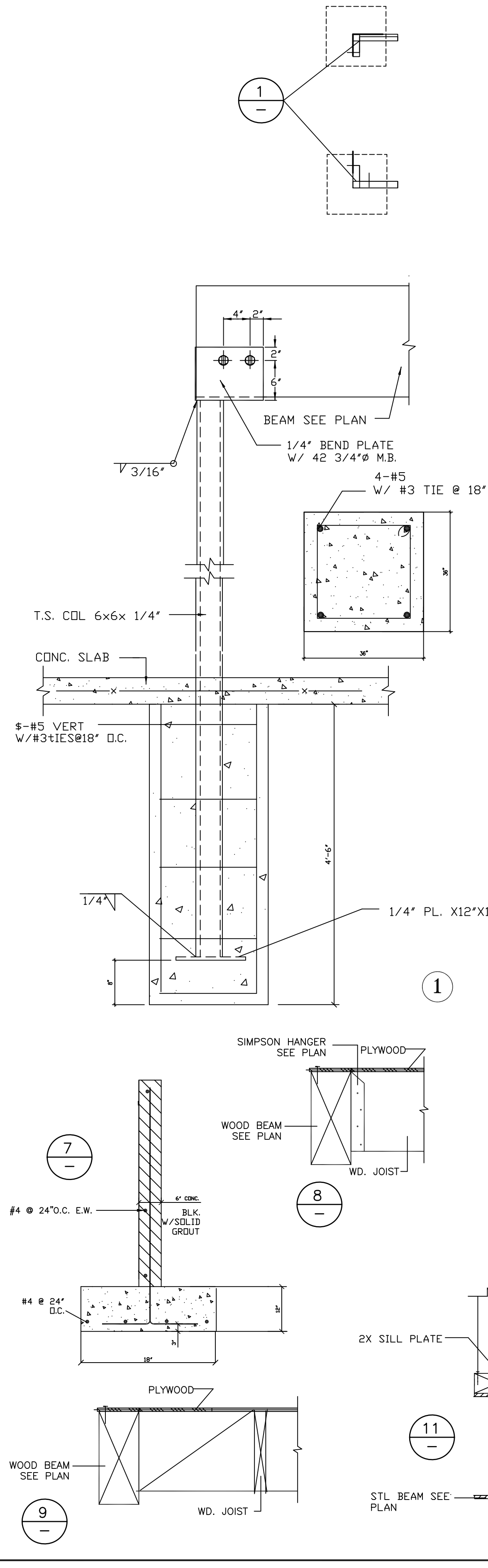
7 SEE S-1 SHEAR WALL SCHEDULE
SEE 8/S-1 DETAIL FOR K.P.
USE DF#1 FOR ALL 2XBM, HIP, & VALLEY
3x STUDS REQ'D FOR EDGE OF SHEAR SHEATING
AND 3x SILL PLATER REQ'D FOR SHEAR WALL

NOTE:
1. Only type S or type M cement-lime mortar or masonry cement shall be used as part of the lateral force resisting system.

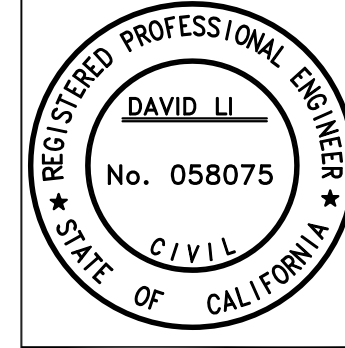
FRAMING NOTES:

1. Roof sheathing to be 1/2" CDX plywood or OSB (INDEX 24/0) with 8d common nail at:
6" O.C. in boundary,
12" O.C. in intermediated (field),

- Contractors responsible for the construction of a wind or seismic force resisting system/component listed in the "Statement of Special Inspection" shall submit a written statement of responsibility to the LADBS Inspectors and the owner prior to the commencement of work on such system or component per Sec 1709.1
- Continuous Special Inspection by a registered deputy inspector is required for welding, concrete strength $f_c > 2500$ psi, high strength bolting, sprayed-on fireproofing, engineered masonry, high-lift grouting, pre-stressed concrete, high load diaphragms and special moment-resisting concrete frames.
- Field welding to be done by welders certified by the LADBS for steel. Continuous inspection by a deputy inspector is required.
- Shop welds must be performed in a LADBS licensed fabricator's shop.
- LADBS licensed fabricator is required for structural steel and prefab joists.
- Glue-lam beams must be fabricated in a LADBS licensed shop
- If adverse soil conditions are encountered, a soils investigation report may be required.



DAVID LI & ASSOCIATES
Consulting Engineers
1000 San Gabriel Blvd. #101
Rosemead, Ca 91770
(626) 280-1216



JOB LOCATION:
1057 W. MANCHESTER AVE.
LOS ANGELES, CA. 90044

Date _____
Scale _____
Drawn _____
Job 16037
Sheet **S-3**
Of _____ Sheet